



Sureté des Procédés Industriels

# M5050 Manomètre type «turret» "Turret" type pressure gauge

## ■ Utilisation

Pour tous fluides gazeux ou liquides agressifs, non pâteux ou cristallisants et pour les atmosphères agressives.

## ■ Caractéristiques

<b>Diamètre</b>	<b>4"1/2 (115mm)</b>
<b>Classe</b>	0,5 (Grad 2A) suivant ANSI B40.1
<b>Echelles(*)</b>	0...0,6 bar ↓ 0...1600 bar

(\*) ainsi que toutes les étendues pour le vide / pression : selon EN 837-1/5

<b>Plage d'utilisation</b>	Permanent 100% EM Momentanée 130% : EM≤60bar Momentanée 115% : EM≥100bar
<b>Boîtier et lunette</b>	Polypropylène noir – lunette vissée Version de sécurité « solid front »
<b>Indice de protection</b>	IP 65 (suivant EN60529)
<b>Voyant</b>	Verre securit
<b>Cadran</b>	Aluminium peint en blanc Graduations et chiffres noirs
<b>Aiguille</b>	Réglable à vis micrométrique Aluminium noir
<b>Joint cadran</b>	Néoprène
<b>Mouvement</b>	Inox 304
<b>Élément de mesure</b>	Tube manométrique
<b>Matière</b>	Inox 316L
<b>T° ambiante</b>	-40°C...+65°C
<b>T° fluide</b>	+200°C max.
<b>Raccord pression</b>	Inox 316L ½" GM ou ½" NPTM
<b>Position du raccord</b>	Vertical
<b>Montage</b>	Direct

## ■ Options

<b>Remplissage</b>	Glycérine (+15...+100°C) Silicone (-45...100°C)
<b>Collerette</b>	Arrière
<b>Autre(s)</b>	plaque inox, unité spéciale, logo client, dégraissage pour oxygène, raccord pression spécifique, organe moteur Monel 400, procès verbal d'essais, etc.

## ■ Uses

Suitable for severe environments and corrosive gaseous or liquid media which will not obstruct the pressure entry.

## ■ Technical data

<b>Nominal size</b>	<b>4"1/2 (115mm)</b>
<b>Class</b>	0.5 (Grad 2A) according to ANSI B40.1
<b>Ranges (*)</b>	0...0.6 bar ↓ 0...1600 bar

(\*) as well as compound vacuum / pressure ranges : acc. to EN 837-1/5

<b>Working pressure</b>	Continuous 100% FS Temporary 130% : FS≤60bar Temporary 115% : FS≥00bar
<b>Case</b>	Black polypropylene, threaded ring Solid front (acc. to ANSI B40.1)
<b>Protection class</b>	IP 65 (according to EN60529)
<b>Window</b>	Safety glass
<b>Dial</b>	White aluminium Black letters and graduations
<b>Pointer</b>	Adjustable Black aluminium
<b>Window gasket</b>	Neoprene rubber
<b>Movement</b>	304 stainless steel
<b>Pressure element</b>	Bourdon tube
<b>Material</b>	316L stainless steel
<b>Ambient T°</b>	-40°C...+65°C
<b>Process T°</b>	+200°C maxi (not filled)
<b>Process connection</b>	316L stainless steel ½" BSPM or ½" NPTM
<b>Connection location</b>	Bottom
<b>Mounting</b>	Direct

## ■ Options

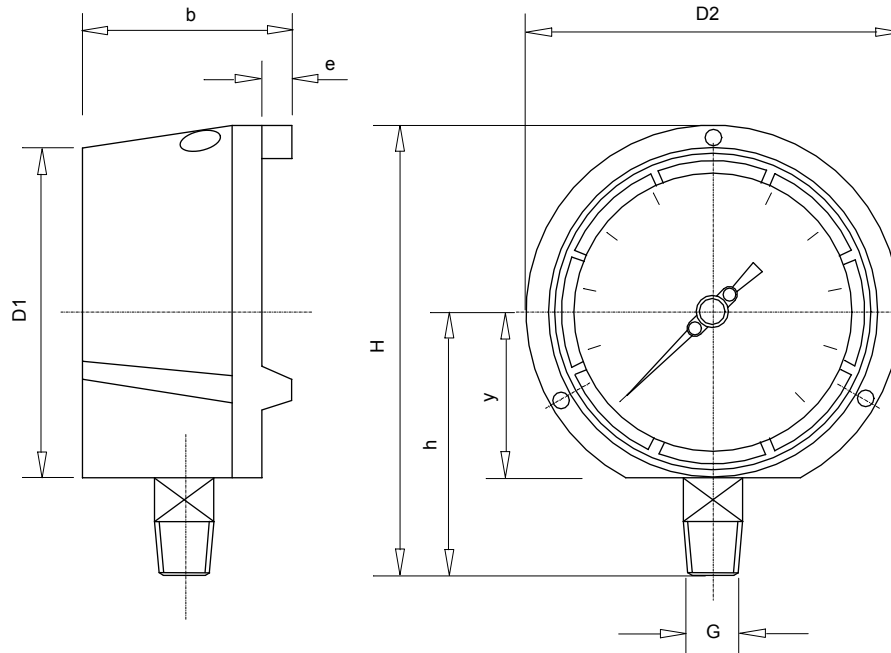
<b>Filled case</b>	Glycerine (+15...+100°C) Silicon oil (-45...100°C)
<b>Flange</b>	Back
<b>Other(s)</b>	st.st. tag plate, special scale, customizing, oxygen cleaning, special process connection, Monel 400 pressure element, test report, etc.

# M5050 Manomètre type «turret» «Turret» type diaphragm pressure gauge



Sureté des Procédés Industriels

## ■ Type de montage - Encombrement (mm) / Type of mounting Dimensions (mm)



Ø	H	h	y	b	e	D1	D2	G
4"1/2	179	105	81	81	12	128	148	1/2"

## ■ Pour commander / To order

Type	Cadran Dial	Position connexion Connection position	Raccordement Connection	Echelle Ranges	Spécificités Features																																																														
M5050	D Ø 4"1/2	D Raccord vertical Bottom connection	0 1/2 GM 3 1/2 NPTM	<table border="1"> <tr><td>81</td><td>-0,6...0 bar</td><td>M1</td><td>0...4 bar</td></tr> <tr><td>A1</td><td>-1...0 bar</td><td>N1</td><td>0...6 bar</td></tr> <tr><td>B1</td><td>-1...0,6 bar</td><td>P1</td><td>0...10 bar</td></tr> <tr><td>C1</td><td>-1...1,5 bar</td><td>Q1</td><td>0...16 bar</td></tr> <tr><td>D1</td><td>-1...3 bar</td><td>R1</td><td>0...25 bar</td></tr> <tr><td>E1</td><td>-1...5 bar</td><td>S1</td><td>0...40 bar</td></tr> <tr><td>F1</td><td>-1...9 bar</td><td>T1</td><td>0...60 bar</td></tr> <tr><td>G1</td><td>-1...15 bar</td><td>U1</td><td>0...100 bar</td></tr> <tr><td>91</td><td>-1...24 bar</td><td>V1</td><td>0...160 bar</td></tr> <tr><td>H1</td><td>0...0,6 bar</td><td>W1</td><td>0...250 bar</td></tr> <tr><td>J1</td><td>0...1 bar</td><td>Y1</td><td>0...400 bar</td></tr> <tr><td>K1</td><td>0...1,6 bar</td><td>11</td><td>0...600 bar</td></tr> <tr><td>L1</td><td>0...2,5 bar</td><td>21</td><td>0...1000 bar</td></tr> </table>	81	-0,6...0 bar	M1	0...4 bar	A1	-1...0 bar	N1	0...6 bar	B1	-1...0,6 bar	P1	0...10 bar	C1	-1...1,5 bar	Q1	0...16 bar	D1	-1...3 bar	R1	0...25 bar	E1	-1...5 bar	S1	0...40 bar	F1	-1...9 bar	T1	0...60 bar	G1	-1...15 bar	U1	0...100 bar	91	-1...24 bar	V1	0...160 bar	H1	0...0,6 bar	W1	0...250 bar	J1	0...1 bar	Y1	0...400 bar	K1	0...1,6 bar	11	0...600 bar	L1	0...2,5 bar	21	0...1000 bar	<table border="1"> <tr><td>000</td><td>Standard</td></tr> <tr><td>D00</td><td>Dégraissage O<sup>2</sup> Oxygen cleaning</td></tr> <tr><td>G00</td><td>Glycérine* Glycerine*</td></tr> <tr><td>S00</td><td>Silicone* Silicon*</td></tr> <tr><td colspan="2">Autres: voir options Others: refer to options</td></tr> </table>	000	Standard	D00	Dégraissage O <sup>2</sup> Oxygen cleaning	G00	Glycérine* Glycerine*	S00	Silicone* Silicon*	Autres: voir options Others: refer to options	
81	-0,6...0 bar	M1	0...4 bar																																																																
A1	-1...0 bar	N1	0...6 bar																																																																
B1	-1...0,6 bar	P1	0...10 bar																																																																
C1	-1...1,5 bar	Q1	0...16 bar																																																																
D1	-1...3 bar	R1	0...25 bar																																																																
E1	-1...5 bar	S1	0...40 bar																																																																
F1	-1...9 bar	T1	0...60 bar																																																																
G1	-1...15 bar	U1	0...100 bar																																																																
91	-1...24 bar	V1	0...160 bar																																																																
H1	0...0,6 bar	W1	0...250 bar																																																																
J1	0...1 bar	Y1	0...400 bar																																																																
K1	0...1,6 bar	11	0...600 bar																																																																
L1	0...2,5 bar	21	0...1000 bar																																																																
000	Standard																																																																		
D00	Dégraissage O <sup>2</sup> Oxygen cleaning																																																																		
G00	Glycérine* Glycerine*																																																																		
S00	Silicone* Silicon*																																																																		
Autres: voir options Others: refer to options																																																																			

\*1 bar  
\*6 bar / psi