

## Utilisation

Prot ge l' l ment sensible de l'instrument de mesure ou de contr le des fluides hygi niques (alimentaire, pharmaceutique, peinture ...) liquides, p teux ou coagulants, et compatibles avec les mat riaux constitutifs.

Montage et d montage rapide.

Facilite le nettoyage et  vite les zones de r tention. L'instrument forme avec son s parateur un ensemble indissociable.

## Uses

Protect sensing element of the measurement or control instrument from sanitary fluids (for pharmaceutical, food, paint industries), liquid, pasty or coagulant media and compatible with wetted parts. Quick mounting and dismounting.

Facilitate the cleaning and avoid retention zones. Removing the seal from the pressure instrument is prohibited.

## Caract ristiques

<b>Flasque sup�rieur</b>	Inox 316 Ti
<b>Membrane</b>	Inox 316 Ti, soud�e
<b>Raccord pression</b>	CLAMP, SMS ou DIN 11851
<b>Plage d'utilisation</b>	Voir tableau
<b>Options</b>	Joint, collier, ferrule � souder (cf fiche technique A3600)

## Technical data

<b>Upper part</b>	316 Ti st.st.
<b>Diaphragm</b>	316 Ti st.st., welded
<b>Process connection</b>	CLAMP, SMS or DIN 11851
<b>Working pressure</b>	Refer table bellow
<b>Options</b>	Gasket, clamp, welding ferrule (see technical data sheet A3600)

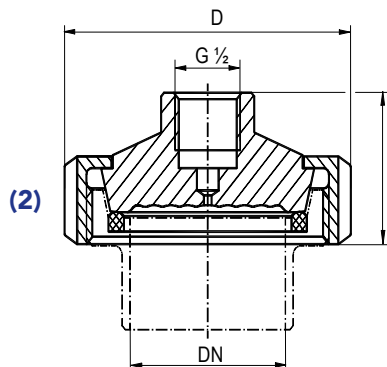
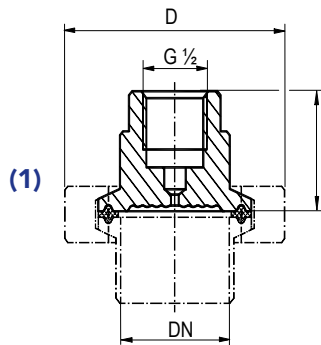
## Options

Huile min rale conforme   la Pharmacop e europ enne et aux r glementations FDA 21 CFR 172-178 (« in food ») et 178-3620a (« contact with food »).

## Options

Mineral oil for food, pharmaceutical and cosmetic industries. Conform to FDA 21 CFR 172-178 ("in food") and 178-3620a ("contact with food").

## Dimensions (mm)



Type (1)	DN	Plage Span	D	H	Code	Poids Weight	
S300 CLAMP	1" 1/2	DN 38	-1...40 bar	60	35	SW3002XX00000	0.6 kg
	2"	DN 51	-1...40 bar	75	35	SW3003XX00000	0.75 kg
	2" 1/2	DN 63	-1...25 bar	82	35	SW3004XX00000	0.95 kg
	3"	DN 76	-1...25 bar	104	35	SW3005XX00000	1.3 kg

Type (2)	DN	Plage Span	D	H	Code	Poids Weight
S300 SMS	1" 1/2	-1...40 bar	74	40	SW3000XX00000	0.75 kg
	2"	-1...40 bar	84	40	SW3001XX00000	0.90 kg

Type (2)	DN	Plage Span	D	H	Code	Poids Weight
S300 DIN 11851	32	-1...40 bar	70	40	SW3006XX00E00	0.50 kg
	40	-1...40 bar	78	40	SW3006XX00F00	0.75 kg
	50	-1...25 bar	92	40	SW3006XX00G00	0.80 kg